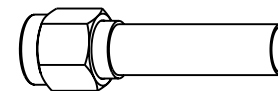


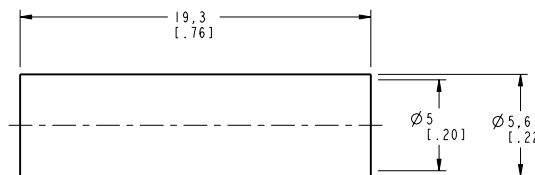
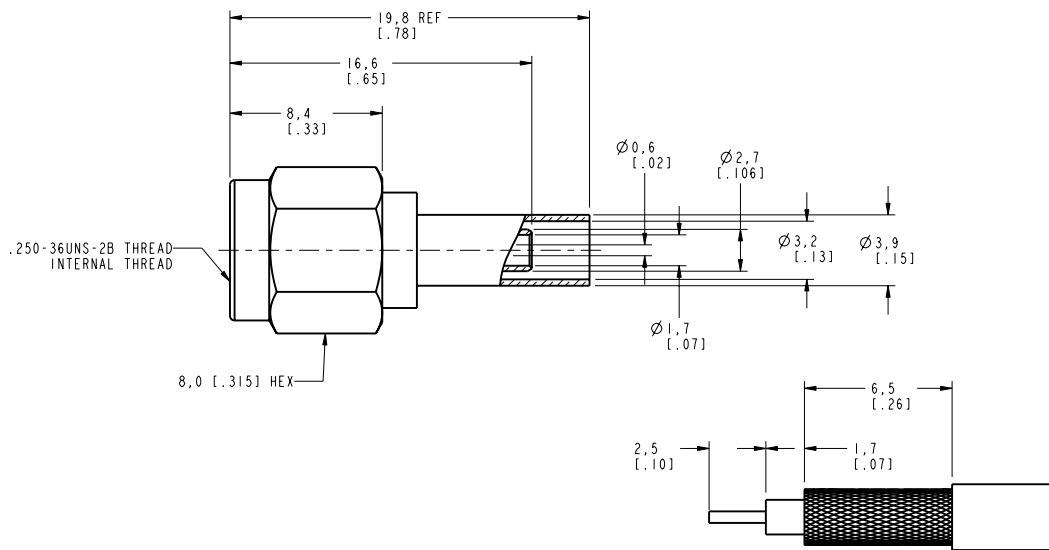
NOTES:

- I. MATERIALS OF CONSTRUCTION:
- BODY, FERRULE & SHELL = BRASS, NICKEL PLATED
- CONTACT PIN = BRASS, GOLD PLATED
- RETAINING RING = BeCu, NATURAL
- INSULATOR = TEFLON, PER MIL-P-19468
- GASKET = SILICONE RUBBER, COLOR RED
- HEAT SHRINK TUBING = COLOR BLACK

901-9877-RFX		REVISIONS			
DRAWING NO.	REV	DESCRIPTION	DATE	ECO	APPR
THIRD ANGLE PROJ.	A	RELEASE TO MFG.	1/25/01	43650	CPM



SCALE 2.000



RECOMMENDED
CABLE STRIPPING DIM'S.
SCALE 5.000

CUSTOMER OUTLINE DRAWING
ALL OTHER SHEETS ARE FOR INTERNAL USE ONLY

UNLESS OTHERWISE SPECIFIED, DIMENSIONS ARE IN INCHES AND TOLERANCES ARE: 0.5 - 6mm ±0.2mm 6 - 30mm ±0.4mm 30 - 120mm ±0.6mm	MATERIAL	DRAWN C. McGRATH	DATE 1/10/01	TITLE SMA CRIMP PLUG FOR RG-174/U, 188A/U 316/U CABLES	Amphenol Amphenol Corporation Communication and Network Products Division Danbury, CT U.S.A. 06810		
	NOTICE - These drawings, specifications, or other data (1) are, and remain the property of Amphenol Corp. (2) must be returned upon request; and (3) are confidential and not to be disclosed to any person other than those to whom they are given by Amphenol Corp. The furnishing of these drawings, specifications, or other data by Amphenol Corp., or to any other person to anyone for any purpose is not to be regarded by implication or otherwise in any manner licensing, granting rights or permitting such holder or any other person to manufacture, use or sell any product, process or design, patented or otherwise, that may in any way be related to or disclosed by said drawings, specifications, or other data.	REFERENCE GEN# ASSYM15_SMA EAR# 967698-0	ENGINEER O. BARTHELME			DATE 1/10/01	SCALE: 4.0:1
		APPROVED O. BARTHELME	DATE 1/25/01				
		CAD FILE 1:\SMA\901-9877-RFX		CODE ID 74868	DWG SIZE B	DRAWING NO. 901-9877-RFX	REV A